

Front Suspension:

RESET

Ride Height: 17mm
 Camber: -2.0°
 Toe: 0
 Anti-Roll Bar: 1.8mm
 Arm Type: Kit
 Tower Type: #92545 Kit
 Wheelbase Shim: Arm forwards (Shims to rear)
 Wheel Hex: 5mm
 Steering Block Type: #92171 Kit
 Caster Block: -2° -1° 0° +1° +2°
 Chassis Brace Material: #92503 Kit
 Top Plate Brace Material: #92503 Kit
 Front Axles: CVA DCV
 Notes: Standard Gearbox height

Lower Brace Type: Fixed Pivot



Ball Stud Spacing: 2mm

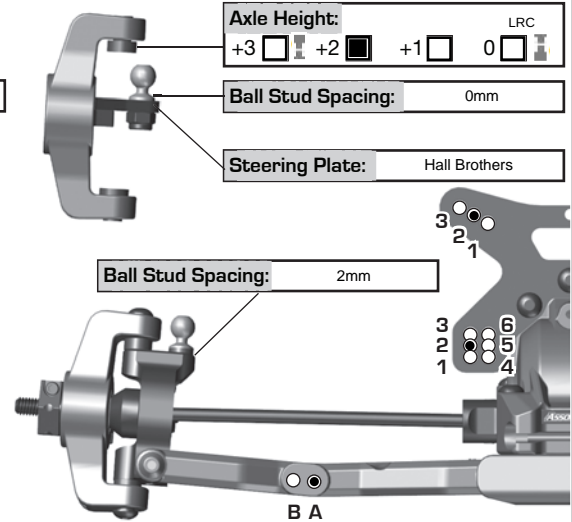
Arm Mount A: 1° 0.5°
 Gray Black



Arm Mount B: 1° 0.5°
 Gray Black



Diff Height:
 +3
 +2
 +1
 +0



Axle Height: +3 +2 +1 0
 LRC

Ball Stud Spacing: 0mm

Steering Plate: Hall Brothers

Ball Stud Spacing: 2mm

Rear Suspension:

Ride Height: 17mm
 Camber: -2.0°
 Anti-Roll Bar: 1.7mm
 Arm Type: Kit
 Tower Type: #92546 Kit
 Wheelbase Shim: Arms middle
 Wheel Hex: 5mm
 Hub Type: Kit
 Drive Shaft Type: Kit
 Chassis Brace Material: off
 Upper Chassis Brace Material: #92504 Kit
 Hub Spacing: Fwd Mid Back
 Notes: Centro 0-4Deg C Block (C0255)

Lower Brace Type: Fixed Pivot



Rear Chassis Brace Screws:

Arm Mount C: 1° 0.5°
 Gray Black

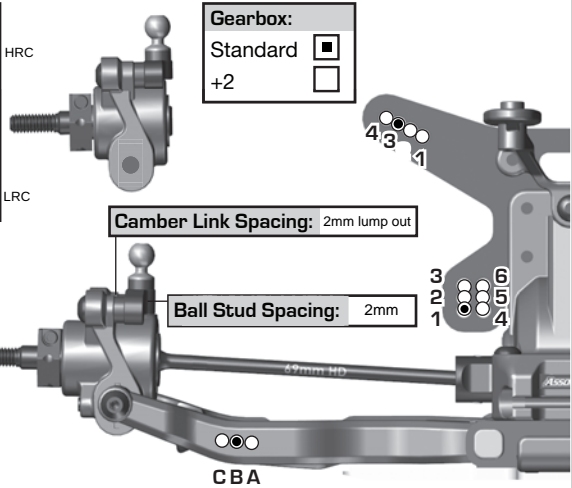


Arm Mount D: 1° 0.5°
 Gray Black



Axle Height:
 ▼0 3▲ +3 HRC
 ▼1 2▲ +2
 ▲1 2▼ +1
 ▲0 3▼ +0 LRC

Diff Height:
 +3
 +2
 +1
 +0



Gearbox:
 Standard
 +2

Camber Link Spacing: 2mm lump out

Ball Stud Spacing: 2mm

Electronics:

Radio: Sanwa M17S Servo: Reedy RS1606A
 EPA: Throttle: 100 % Brake: 100 %
 ESC: Centro Pro
 ESC Settings: 15 Turbo, 12k throttle freq, 70% brake & 5k req
 Motor / Wind: Hobbywing 5T Timing: Std
 Pinion: 19t Spur: 78t
 Motor Position: Forward Back
 Battery Position:
 Back 1 2 3 4 5 Forward
 Battery: Reedy zipper 4800mah LCG Weight:
 Notes:

Differential:

	Front	Center	Rear
Fluid:	15k	500k	15k
Gears:	4x LTC kit	4x HTC	4x LTC Kit
Type:	Metal #92306	Metal HTC	Metal #92306
Notes:			

Slipper Clutch:

Type:
 # of Pads:
 Setting:
 Notes:

Shocks:

	Front	Rear
Piston:	3x1.6mm 13mm	#71174 3x1.7mm 13mm
Thickness:	2.0mm	2mm
Fluid:	45w	35w
Spring:	Orange v2 12mm	Yellow v3 13mm
Limiters:	Int: 2mm Ext: _____	Int: _____ Ext: 1 xring
Stroke:	21.8mm	27.6mm
Eyelet:	0	0
Cup Offset:	0 <input type="checkbox"/> +5 <input checked="" type="checkbox"/> +9 <input type="checkbox"/>	0 <input checked="" type="checkbox"/> +5 <input type="checkbox"/> +9 <input type="checkbox"/>
Kashima Bodies:	<input checked="" type="checkbox"/>	Chrome Shafts: <input type="checkbox"/> Machined Spacers: <input type="checkbox"/>
Notes:	Chrome shafts (AS91618, AS91620) Machined internals(AS91494)	

Track Info:

Size: medium/large
 Surface: Astro
 Traction: medium / high
 Moisture:
 Condition: Outdoor, Bumpy in places, tight
 Temperature: 10 deg
 Notes:

Tires:

Front Tires: Mezzo
 Front Compound: Yellow
 Front Insert: Cragg Foam
 Rear Tires: Mezzo
 Rear Compound: Yellow
 Rear Insert: Cheater
 Wheel (F/R): Centro
 Notes: 2 and 1 rows off both sides + glue on sidewalls

Body, Weight:

Body: Kit
 Front Wing:
 Rear Wing: Kit
 Rear Wing Mount: 0 -2
 Wing Angle: 0° 3° 6°
 Chassis Length: Kit
 Total Vehicle Weight:
 Notes:

Vehicle Comments:

Notes:
 Centre diff
 Centro 0-4Deg C Block (C0255)
 waterfall brace removed
 front brace top screw disconnected